

● **FEATURES** 特性

1. Entry winding core is encapsulated in heat shriked ul tube or magnetically shelded. to provide mechanical and envirinmental protection.

UI 套管包装或磁屏蔽, 以提高机械和电路抗干扰性能。

2. Rugged reliability and performance 优越的可耗性和电气特性。

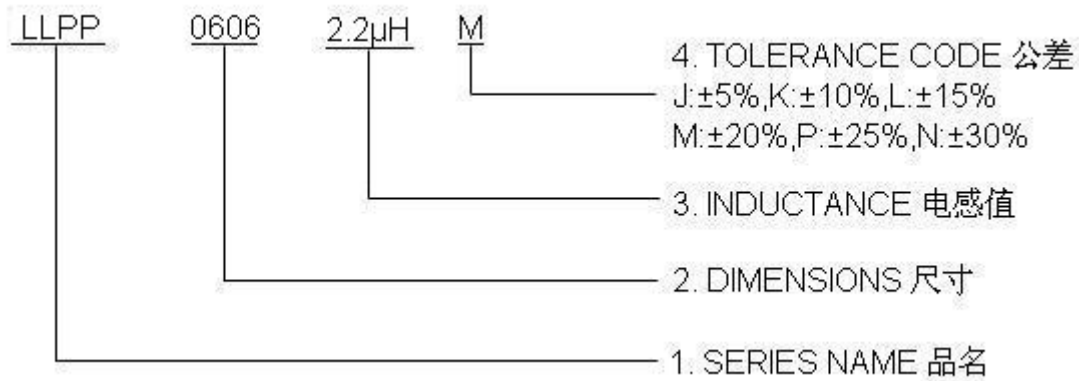
3. High current low impedance 大电流, 小阻抗。

● **APPLICATIONS** 用途

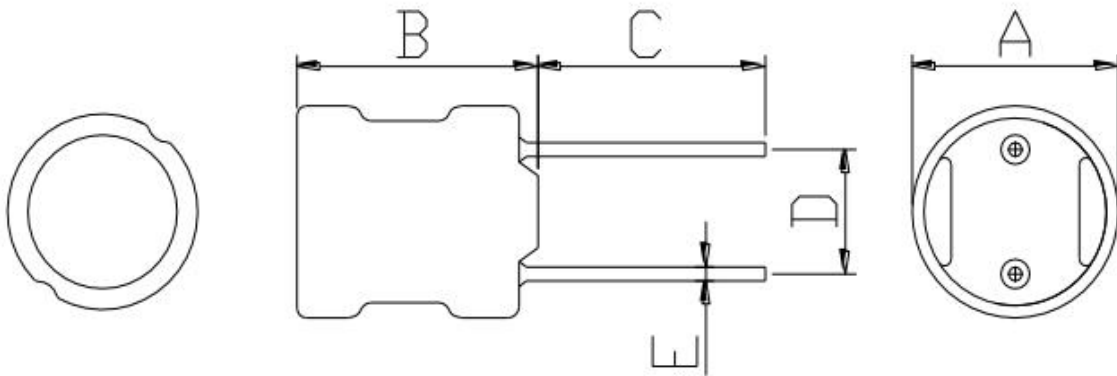
For switching power supply with high reliability, OA equipment choke.

用于开关电源, OA 设备

● **PART NUMBERING SYSTEM** 品名系统



● **SHAPES AND DIMENSIONS** 外形尺寸 (Unit:mm)



TYPE(型号)	A	B	C	D	E
LLPP0605	7.5Max	6.5Max	15±2.0	4.0±0.5	0.6±0.05
LLPP0606	7.5Max	7.5Max	15±2.0	4.0±0.5	0.6±0.05
LLPP0805	9.5Max	7.0Max	15±2.0	5.0±0.5	0.6±0.05
LLPP0807	9.5Max	9.0Max	15±2.0	5.0±0.5	0.6±0.05
LLPP0809	9.5Max	12.0Max	15±2.0	5.0±0.5	0.6±0.05
LLPP1006	12.0Max	7.5Max	15±2.0	5.0±0.5	0.8±0.1
LLPP1008	12.0Max	10.0Max	15±2.0	5.0±0.5	0.8±0.1
LLPP1010	12.0Max	12.0Max	15±2.0	5.0±0.5	0.8±0.1
LLPP1014	12.0Max	16.0Max	15±2.0	5.0±0.5	0.8±0.1

● SPECIFICATION TABLE:

PART NUMBER 品名	INDUCTANCE ( $\mu$ H) 电感值	DCR (Max.) ( $\Omega$ ) 直流电阻	Idc (Max.) (A) 额定电流	TEST FREQUENCY 测试频率
LLPP0605-220K	22	0.18	0.90	1KHz,0.25V
LLPP0605-270K	27	0.21	0.81	1KHz,0.25V
LLPP0605-330K	33	0.27	0.74	1KHz,0.25V
LLPP0605-390K	39	0.29	0.68	1KHz,0.25V
LLPP0605-470K	47	0.34	0.62	1KHz,0.25V
LLPP0605-560K	56	0.42	0.57	1KHz,0.25V
LLPP0605-680K	68	0.48	0.51	1KHz,0.25V
LLPP0605-820K	82	0.55	0.47	1KHz,0.25V
LLPP0605-101K	100	0.68	0.42	1KHz,0.25V
LLPP0605-121K	120	0.77	0.39	1KHz,0.25V
LLPP0605-151K	150	0.95	0.35	1KHz,0.25V
LLPP0605-181K	180	1.50	0.32	1KHz,0.25V
LLPP0605-221K	220	1.30	0.29	1KHz,0.25V
LLPP0605-271K	270	1.55	0.26	1KHz,0.25V
LLPP0605-331K	330	2.18	0.23	1KHz,0.25V
LLPP0605-391K	390	2.47	0.21	1KHz,0.25V
LLPP0605-471K	470	2.92	0.20	1KHz,0.25V
LLPP0605-561K	560	3.97	0.18	1KHz,0.25V
LLPP0605-681K	680	4.57	0.16	1KHz,0.25V
LLPP0605-821K	820	5.28	0.15	1KHz,0.25V
LLPP0605-102K	1000	7.06	0.13	1KHz,0.25V



● SPECIFICATION TABLE:

PART NUMBER 品名	INDUCTANCE ( $\mu$ H) 电感值	DCR (Max.) ( $\Omega$ ) 直流电阻	Idc (Max.) (A) 额定电流	TEST FREQUENCY 测试频率
LLPP0606-220K	22	0.13	0.96	1KHz,0.25V
LLPP0606-270K	27	0.18	0.87	1KHz,0.25V
LLPP0606-330K	33	0.21	0.78	1KHz,0.25V
LLPP0606-390K	39	0.26	0.72	1KHz,0.25V
LLPP0606-470K	47	0.29	0.66	1KHz,0.25V
LLPP0606-560K	56	0.33	0.60	1KHz,0.25V
LLPP0606-680K	68	0.36	0.55	1KHz,0.25V
LLPP0606-820K	82	0.39	0.50	1KHz,0.25V
LLPP0606-101K	100	0.54	0.45	1KHz,0.25V
LLPP0606-121K	120	0.62	0.41	1KHz,0.25V
LLPP0606-151K	150	0.72	0.37	1KHz,0.25V
LLPP0606-181K	180	0.88	0.34	1KHz,0.25V
LLPP0606-221K	220	0.99	0.30	1KHz,0.25V
LLPP0606-271K	270	1.52	0.27	1KHz,0.25V
LLPP0606-331K	330	1.69	0.25	1KHz,0.25V
LLPP0606-391K	390	1.85	0.23	1KHz,0.25V
LLPP0606-471K	470	2.85	0.21	1KHz,0.25V
LLPP0606-561K	560	3.21	0.19	1KHz,0.25V
LLPP0606-681K	680	3.60	0.17	1KHz,0.25V
LLPP0606-821K	820	4.87	0.16	1KHz,0.25V
LLPP0606-102K	1000	5.56	0.14	1KHz,0.25V



# 东莞市立隆电子科技有限公司

立隆电子  
LI LONG DIAN ZI

DONGGUAN LILONG ELECTRONIC TECHNOLOGY CO., LTD

## ● SPECIFICATION TABLE:

PART NUMBER 品名	INDUCTANCE ( $\mu$ H) 电感值	DCR (Max.) ( $\Omega$ ) 直流电阻	Idc (Max.) (A) 额定电流	TEST FREQUENCY 测试频率
LLPP0805-100K	10	0.07	2.50	1KHz,0.25V
LLPP0805-120K	12	0.08	2.40	1KHz,0.25V
LLPP0805-150K	15	0.09	2.10	1KHz,0.25V
LLPP0805-180K	18	0.10	2.00	1KHz,0.25V
LLPP0805-220K	22	0.12	1.70	1KHz,0.25V
LLPP0805-270K	27	0.14	1.50	1KHz,0.25V
LLPP0805-330K	33	0.17	1.40	1KHz,0.25V
LLPP0805-390K	39	0.21	1.30	1KHz,0.25V
LLPP0805-470K	47	0.24	1.20	1KHz,0.25V
LLPP0805-560K	56	0.31	1.10	1KHz,0.25V
LLPP0805-680K	68	0.34	1.00	1KHz,0.25V
LLPP0805-820K	82	0.40	0.93	1KHz,0.25V
LLPP0805-101K	100	0.52	0.83	1KHz,0.25V
LLPP0805-121K	120	0.59	0.76	1KHz,0.25V
LLPP0805-151K	150	0.71	0.67	1KHz,0.25V
LLPP0805-181K	180	0.89	0.62	1KHz,0.25V
LLPP0805-221K	220	1.04	0.54	1KHz,0.25V
LLPP0805-271K	270	1.28	0.49	1KHz,0.25V
LLPP0805-331K	330	1.47	0.44	1KHz,0.25V
LLPP0805-391K	390	1.67	0.41	1KHz,0.25V
LLPP0805-471K	470	1.95	0.38	1KHz,0.25V
LLPP0805-561K	560	2.83	0.35	1KHz,0.25V
LLPP0805-681K	680	3.25	0.32	1KHz,0.25V
LLPP0805-821K	820	3.82	0.31	1KHz,0.25V
LLPP0805-102K	1000	5.28	0.25	1KHz,0.25V
LLPP0805-122K	1200	6.03	0.23	1KHz,0.25V
LLPP0805-152K	1500	7.15	0.21	1KHz,0.25V
LLPP0805-182K	1800	8.26	0.10	1KHz,0.25V
LLPP0805-222K	2200	11.1	0.18	1KHz,0.25V
LLPP0805-272K	2700	13.1	0.16	1KHz,0.25V
LLPP0805-332K	3300	15.9	0.14	1KHz,0.25V
LLPP0805-392K	3900	18.0	0.13	1KHz,0.25V
LLPP0805-472K	4700	23.9	0.12	1KHz,0.25V
LLPP0805-562K	5600	26.8	0.11	1KHz,0.25V
LLPP0805-682K	6800	31.7	0.098	1KHz,0.25V
LLPP0805-822K	8200	47.5	0.088	1KHz,0.25V
LLPP0805-103K	1000	55.7	0.080	1KHz,0.25V

● SPECIFICATION TABLE:

PART NUMBER 品名	INDUCTANCE ( $\mu$ H) 电感值	DCR (Max.) ( $\Omega$ ) 直流电阻	Idc (Max.) (A) 额定电流	TEST FREQUENCY 测试频率
LLPP0807-220K	22	0.08	1.60	1KHz,0.25V
LLPP0807-270K	27	0.10	1.40	1KHz,0.25V
LLPP0807-330K	33	0.14	1.30	1KHz,0.25V
LLPP0807-390K	39	0.15	1.20	1KHz,0.25V
LLPP0807-470K	47	0.17	1.10	1KHz,0.25V
LLPP0807-560K	56	0.19	0.99	1KHz,0.25V
LLPP0807-680K	68	0.21	0.89	1KHz,0.25V
LLPP0807-820K	82	0.27	0.81	1KHz,0.25V
LLPP0807-101K	100	0.32	0.74	1KHz,0.25V
LLPP0807-121K	120	0.36	0.67	1KHz,0.25V
LLPP0807-151K	150	0.51	0.60	1KHz,0.25V
LLPP0807-181K	180	0.57	0.55	1KHz,0.25V
LLPP0807-221K	220	0.76	0.50	1KHz,0.25V
LLPP0807-271K	270	0.86	0.45	1KHz,0.25V
LLPP0807-331K	330	0.90	0.41	1KHz,0.25V
LLPP0807-391K	390	1.28	0.37	1KHz,0.25V
LLPP0807-471K	470	1.44	0.34	1KHz,0.25V
LLPP0807-561K	560	1.61	0.31	1KHz,0.25V
LLPP0807-681K	680	2.07	0.28	1KHz,0.25V
LLPP0807-821K	820	2.33	0.26	1KHz,0.25V
LLPP0807-102K	1000	2.72	0.23	1KHz,0.25V
LLPP0807-122K	1200	3.98	0.21	1KHz,0.25V
LLPP0807-152K	1500	4.50	0.19	1KHz,0.25V
LLPP0807-182K	1800	6.81	0.17	1KHz,0.25V
LLPP0807-222K	2200	7.56	0.16	1KHz,0.25V
LLPP0807-272K	2700	8.54	0.14	1KHz,0.25V
LLPP0807-332K	3300	9.74	0.13	1KHz,0.25V
LLPP0807-392K	3900	12.90	0.12	1KHz,0.25V
LLPP0807-472K	4700	14.70	0.11	1KHz,0.25V
LLPP0807-562K	5600	20.40	0.10	1KHz,0.25V
LLPP0807-682K	6800	23.00	0.09	1KHz,0.25V
LLPP0807-822K	8200	30.60	0.08	1KHz,0.25V
LLPP0807-103K	1000	35.00	0.07	1KHz,0.25V